


## TFT LCD Approval Specification

# MODEL NO.: N116B6-L02

Customer : \_\_\_\_\_

Approved by : \_\_\_\_\_

Note :

核准時間	部門	審核	角色	投票
2009-04-13 12:42:57	NB 產品管理處		Director	Accept

**CONTENTS**

REVISION HISTORY -----3

1. GENERAL DESCRIPTION -----4

    1.1 OVERVIEW

    1.2 FEATURES

    1.3 APPLICATION

    1.4 GENERAL SPECIFICATIONS

    1.5 MECHANICAL SPECIFICATIONS

2. ABSOLUTE MAXIMUM RATINGS -----5

    2.1 ABSOLUTE RATINGS OF ENVIRONMENT

    2.2 ELECTRICAL ABSOLUTE RATINGS

        2.2.1 TFT LCD MODULE

        2.2.2 BACKLIGHT UNIT

3. ELECTRICAL CHARACTERISTICS -----7

    3.1 TFT LCD MODULE

    3.2 BACKLIGHT UNIT

4. BLOCK DIAGRAM -----10

    4.1 TFT LCD MODULE

5. INPUT TERMINAL PIN ASSIGNMENT -----11

    5.1 TFT LCD MODULE

    5.2 TIMING DIAGRAM OF LVDS INPUT SIGNAL

    5.3 COLOR DATA INPUT ASSIGNMENT

    5.4 EDID DATA STRUCTURE

6. CONVERTER SPECIFICATION -----17

    6.1 INPUT CONNECTOR PIN ASSIGNMENT

    6.2 INPUT ELECTRICAL CHARACTERISTICS OF CONVERTER

7. INTERFACE TIMING -----18

    7.1 INPUT SIGNAL TIMING SPECIFICATIONS

    7.2 POWER ON/OFF SEQUENCE

8. OPTICAL CHARACTERISTICS -----20

    8.1 TEST CONDITIONS

    8.2 OPTICAL SPECIFICATIONS

9. PRECAUTIONS -----24

    9.1 HANDLING PRECAUTIONS

    9.2 STORAGE PRECAUTIONS

    9.3 OPERATION PRECAUTIONS

10. PACKING -----25

    10.1 CARTON

    10.2 PALLET

11. DEFINITION OF LABELS -----27

    11.1 CMO MODULE LABEL

    11.2 CARTON LABEL

**REVISION HISTORY**

<b>Version</b>	<b>Date</b>	<b>Page (New)</b>	<b>Section</b>	<b>Description</b>
Ver 2.0	Apr. 07, 2009	All	All	Approval specification first issued.

## 1. GENERAL DESCRIPTION

### 1.1 OVERVIEW

N116B6-L02 is a 11.6" TFT Liquid Crystal Display module with LED Backlight unit and 40 pins LVDS interface. This module supports 1366 x 768 Wide-XGA mode and can display 262,144 colors. The optimum viewing angle is at 6 o'clock direction. The converter module for Backlight is built in.

### 1.2 FEATURES

- Aspect ratio 16:9
- WXGA (1366 x 768 pixels) resolution
- 3.3V LVDS (Low Voltage Differential Signaling) interface with 1 pixel/clock
- Build in LED Converter

### 1.3 APPLICATION

- TFT LCD Notebook

### 1.4 GENERAL SPECIFICATIONS

Item	Specification	Unit	Note
Active Area	256.125 (H) x 144.00 (V) (11.6" diagonal )	mm	(1)
Bezel Opening Area	259.13(H) x 147.00(V)	mm	
Driver Element	a-si TFT active matrix	-	-
Pixel Number	1366 x R.G.B. x 768	pixel	-
Pixel Pitch	0.1875 (H) x 0.1875 (V)	mm	-
Pixel Arrangement	RGB vertical stripe	-	-
Display Colors	262,144	color	-
Transmissive Mode	Normally white	-	-
Surface Treatment	Hard coating (3H), Glare	-	-

### 1.5 MECHANICAL SPECIFICATIONS

Item	Min.	Typ.	Max.	Unit	Note	
Module Size	Horizontal(H)	267.5	268	268.5	mm	(1)
	Vertical(V)	161	161.5	162	mm	
	Thickness(T)	-	5.0	5.2	mm	
Weight	-	225	240	g		

Note (1) Please refer to the attached drawings for more information of front and back outline dimensions.

## 2. ABSOLUTE MAXIMUM RATINGS

### 2.1 ABSOLUTE RATINGS OF ENVIRONMENT

Item	Symbol	Value		Unit	Note
		Min.	Max.		
Storage Temperature	$T_{ST}$	-20	+60	°C	(1)
Operating Ambient Temperature	$T_{OP}$	0	+50	°C	(1), (2)
Shock (Non-Operating)	$S_{NOP}$	-	220/2	G/ms	(3), (5)
Vibration (Non-Operating)	$V_{NOP}$	-	1.5	G	(4), (5)

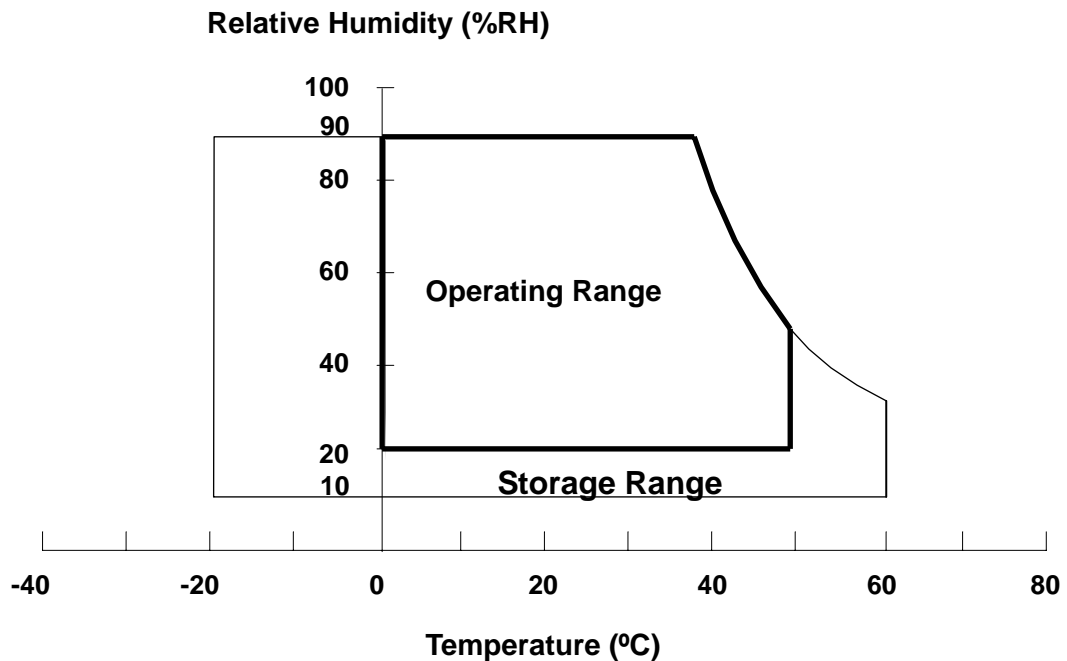
Note (1) Temperature and relative humidity range is shown in the figure below.

(a) 90 %RH Max. ( $T_a \leq 40$  °C).

(b) Wet-bulb temperature should be 39 °C Max. ( $T_a > 40$  °C).

(c) No condensation.

Note (2) The temperature of panel surface area should be 0 °C min. and 60 °C max.

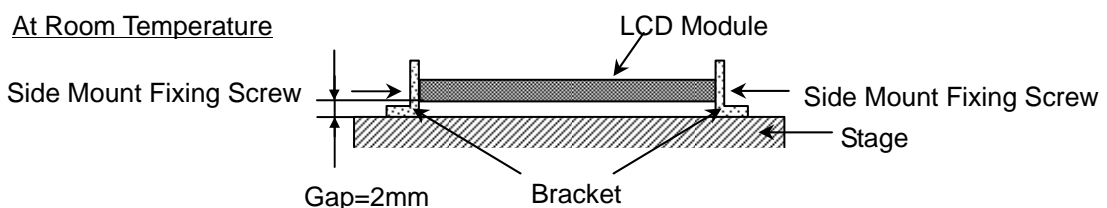


Note (3) 1 time for  $\pm X$ ,  $\pm Y$ ,  $\pm Z$ . for Condition (220G / 2ms) is half Sine Wave,.

Note (4) 10~500 Hz, 30 min/cycle, 1cycle for X,Y,Z-axis.

Note (5) At testing Vibration and Shock, the fixture in holding the module has to be hard and rigid enough so that the module would not be twisted or bent by the fixture.

The fixing condition is shown as below:



## 2.2 ELECTRICAL ABSOLUTE RATINGS

### 2.2.1 TFT LCD MODULE

Item	Symbol	Value		Unit	Note
		Min.	Max.		
Power Supply Voltage	$V_{CC}$	-0.3	+4.0	V	(1)
Logic Input Voltage	$V_{IN}$	-0.3	$V_{CC}+0.3$	V	

Note (1) Permanent damage to the device may occur if maximum values are exceeded. Function operation should be restricted to the conditions described under Normal Operating Conditions.

### 2.2.2 BACKLIGHT UNIT

Item	Value		Unit	Note
	Min	Max.		
LED Light Bar Power Supply Voltage	-45	30.6	$V_{DC}$	(1), (2)
LED Light Bar Power Supply Current	0	105	$mA_{DC}$	

Note (1) Permanent damage to the device may occur if maximum values are exceeded. Function operation should be restricted to the conditions described under Normal Operating Conditions.

Note (2) Specified values are for LED (Refer to Section 3.2 for further information).

### 3. ELECTRICAL CHARACTERISTICS

#### 3.1 TFT LCD MODULE

Ta = 25 ± 2 °C

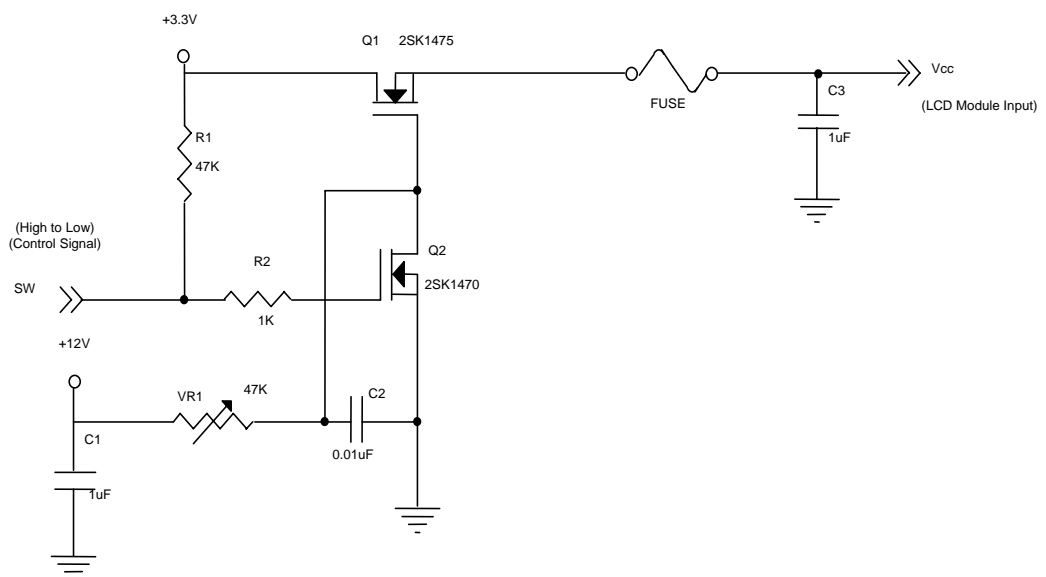
Parameter	Symbol	Value			Unit	Note
		Min.	Typ.	Max.		
Power Supply Voltage	V <sub>CC</sub>	3.0	3.3	3.6	V	-
Ripple Voltage	V <sub>RP</sub>	-	50	-	mV	-
Rush Current	I <sub>RUSH</sub>	-	-	1.5	A	(2)
Initial Stage Current	I <sub>IS</sub>	-	-	1.0	A	(2)
Power Supply Current	White	-	210	230	mA	(3)a
	Black	-	300	350	mA	(3)b
LVDS Differential Input High Threshold	V <sub>TH(LVDS)</sub>	-	-	+100	mV	(5), V <sub>CM</sub> =1.2V
LVDS Differential Input Low Threshold	V <sub>TL(LVDS)</sub>	-100	-	-	mV	(5), V <sub>CM</sub> =1.2V
LVDS Common Mode Voltage	V <sub>CM</sub>	1.125	-	1.375	V	(5)
LVDS Differential Input Voltage	V <sub>ID</sub>	100	-	600	mV	(5)
Terminating Resistor	R <sub>T</sub>	-	100	-	Ohm	-
Power per EBL WG	PEBL	-	1.52	-	W	(4)

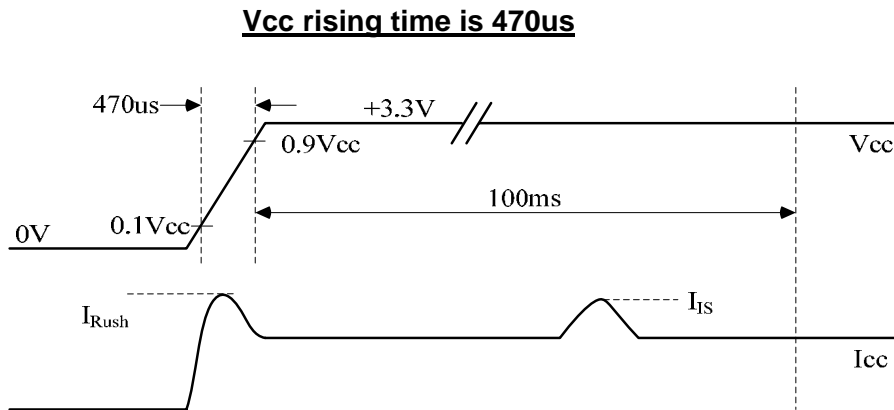
Note (1) The ambient temperature is Ta = 25 ± 2 °C.

Note (2) I<sub>RUSH</sub>: the maximum current when VCC is rising

I<sub>IS</sub>: the maximum current of the first 100ms after power-on

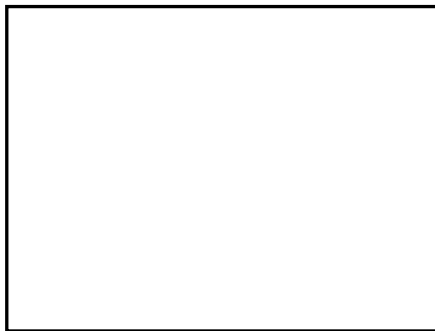
Measurement Conditions: Shown as the following figure. Test pattern: black.





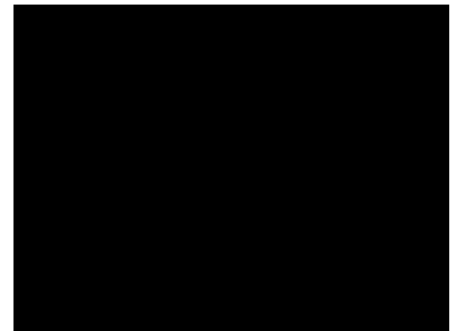
Note (3) The specified power supply current is under the conditions at  $V_{cc} = 3.3\text{ V}$ ,  $T_a = 25 \pm 2\text{ }^\circ\text{C}$ , DC Current and  $f_v = 60\text{ Hz}$ , whereas a power dissipation check pattern below is displayed.

a. White Pattern



Active Area

b. Black Pattern



Active Area

Note (4) The specified power are the sum of LCD panel electronics input power and the converter input power. Test conditions are as follows.

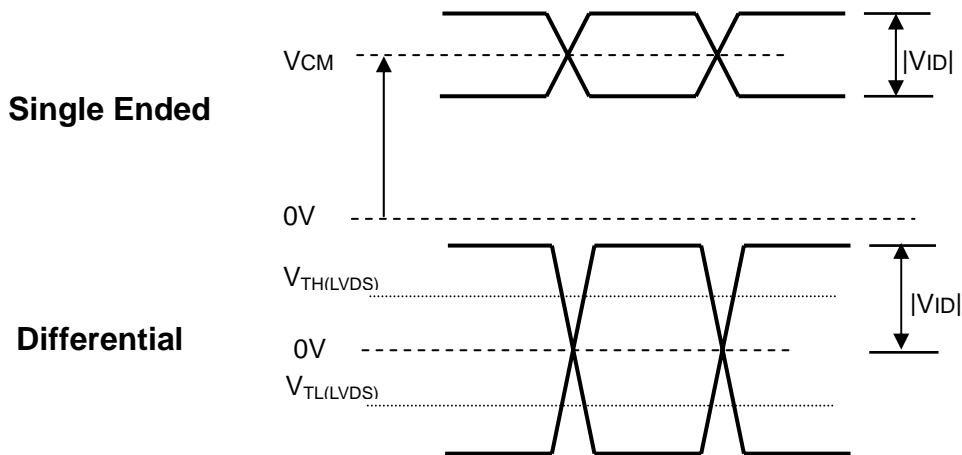
(a)  $V_{cc} = 3.3\text{ V}$ ,  $T_a = 25 \pm 2\text{ }^\circ\text{C}$ ,  $f_v = 60\text{ Hz}$ ,

(b) The pattern used is a black and white 32 x 36 checkerboard, slide #100 from the VESA file "Flat Panel Display Monitor Setup Patterns", FPDMSU.ppt.

(c) Luminance: 60 nits.



Note (5) The parameters of LVDS signals are defined as the following figures.

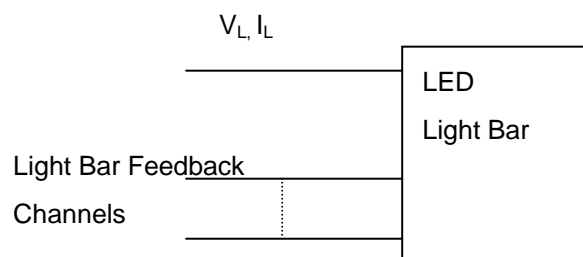


### 3.2 BACKLIGHT UNIT

Ta = 25 ± 2 °C

Parameter	Symbol	Value			Unit	Note
		Min.	Typ.	Max.		
LED Light Bar Power Supply Voltage	V <sub>o</sub>	27	28.8	30.6	V	(1) (Duty 100%)
LED Light Bar Power Supply Current	I <sub>o</sub>	57	60	63	mA	
Power Consumption	P <sub>o</sub>	1.54	1.73	1.93	W	(2) (@ I <sub>L</sub> = 60 mA)
LED Life Time	L <sub>BL</sub>	15000	-	-	Hrs	(3)

Note (1) LED current is measured by utilizing a high frequency current meter as shown below:

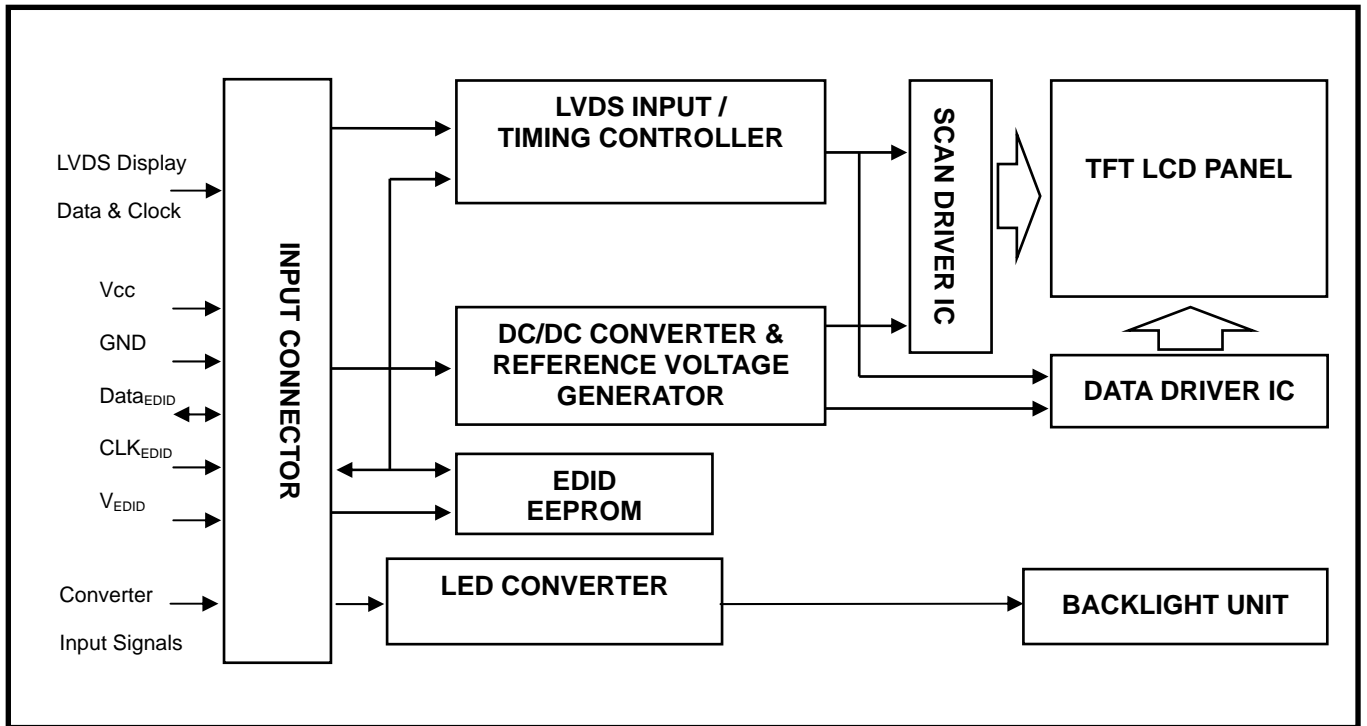


Note (2)  $P_o = I_o \times V_o$

Note (3) The lifetime of LED is defined as the time when it continues to operate under the conditions at Ta = 25 ± 2 °C and I = 20 mA (Per EA) until the brightness becomes 50% of its original value.

4. BLOCK DIAGRAM

4.1 TFT LCD MODULE



## 5. INPUT TERMINAL PIN ASSIGNMENT

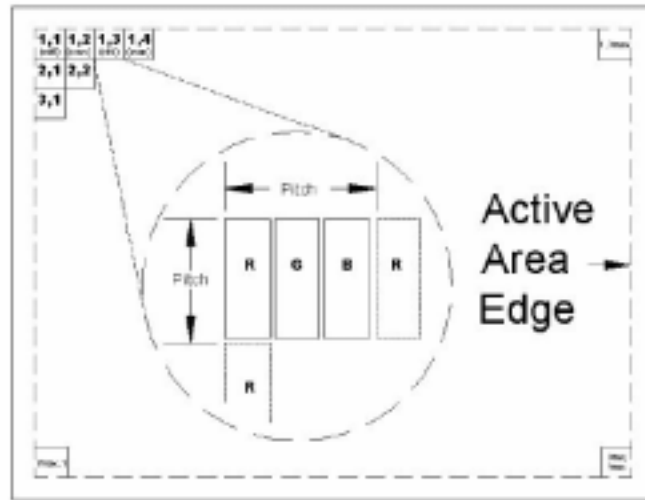
### 5.1 TFT LCD MODULE

Pin	Symbol	Description	Polarity	Remark
1	NC	No Connection (Reserve)		
2	VCCS	Power Supply (3.3V typ.)		
3	VCCS	Power Supply (3.3V typ.)		
4	VEDID	DDC 3.3V power		
5	NC	No Connection (Reserved for CMO test)		
6	CLKEDID	DDC clock		
7	DATAEDID	DDC data		
8	Rxin0-	LVDS differential data input	Negative	R0-R5, G0
9	Rxin0+	LVDS differential data input	Positive	
10	VSS	Ground		
11	Rxin1-	LVDS differential data input	Negative	G1~G5, B0, B1
12	Rxin1+	LVDS differential data input	Positive	
13	VSS	Ground		
14	Rxin2-	LVDS Differential Data Input	Negative	B2-B5,HS,VS, DE
15	Rxin2+	LVDS Differential Data Input	Positive	
16	VSS	Ground		
17	RxCLK-	LVDS differential clock input		
18	RxCLK+	LVDS differential clock input		
19	VSS	Ground		
20	NC	No Connection (Reserve)		
21	NC	No Connection (Reserve)		
22	VSS	Ground		
23	NC	No Connection (Reserve)		
24	NC	No Connection (Reserve)		
25	VSS	Ground		
26	NC	No Connection (Reserve)		
27	NC	No Connection (Reserve)		
28	VSS	Ground		
29	NC	No Connection (Reserve)		
30	NC	No Connection (Reserve)		
31	LED_GND	LED Ground		
32	LED_GND	LED Ground		
33	LED_GND	LED Ground		
34	NC	No Connection (Reserve)		
35	LED_PWM	PWM Control Signal of LED Converter		
36	LED_EN	Enable Control Signal of LED Converter		
37	NC	No Connection (Reserve)		
38	LED_VCCS	LED Power		
39	LED_VCCS	LED Power		
40	LED_VCCS	LED Power		

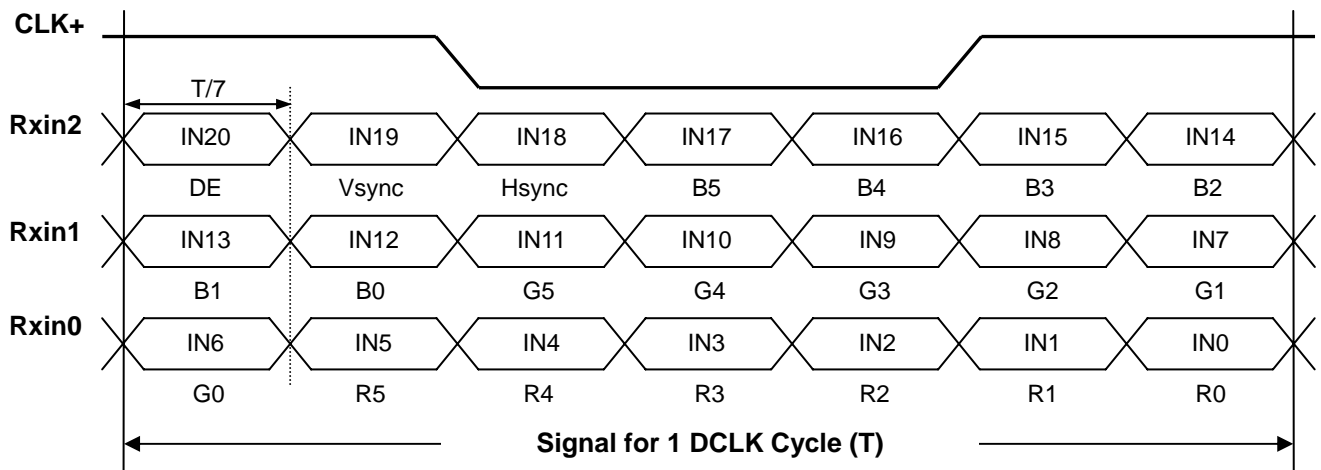
Note (1) Connector Part No.: IPEX-20455-040E-12 or equivalent

Note (2) User's connector Part No: IPEX-20453-040T-01 or equivalent

Note (3) The first pixel is odd as shown in the following figure.



## 5.2 TIMING DIAGRAM OF LVDS INPUT SIGNAL



### 5.3 COLOR DATA INPUT ASSIGNMENT

The brightness of each primary color (red, green and blue) is based on the 6-bit gray scale data input for the color. The higher the binary input the brighter the color. The table below provides the assignment of color versus data input.

Color		Data Signal																	
		Red						Green						Blue					
		R5	R4	R3	R2	R1	R0	G5	G4	G3	G2	G1	G0	B5	B4	B3	B2	B1	B0
Basic Colors	Black	0	0	0	0	0	0	0	0	0	0	0	0	0	0	0	0	0	0
	Red	1	1	1	1	1	1	0	0	0	0	0	0	0	0	0	0	0	0
	Green	0	0	0	0	0	0	1	1	1	1	1	1	0	0	0	0	0	0
	Blue	0	0	0	0	0	0	0	0	0	0	0	0	1	1	1	1	1	1
	Cyan	0	0	0	0	0	0	1	1	1	1	1	1	1	1	1	1	1	1
	Magenta	1	1	1	1	1	1	0	0	0	0	0	0	1	1	1	1	1	1
	Yellow	1	1	1	1	1	1	1	1	1	1	1	1	0	0	0	0	0	0
	White	1	1	1	1	1	1	1	1	1	1	1	1	1	1	1	1	1	1
Gray Scale Of Red	Red(0)/Dark	0	0	0	0	0	0	0	0	0	0	0	0	0	0	0	0	0	0
	Red(1)	0	0	0	0	0	1	0	0	0	0	0	0	0	0	0	0	0	0
	Red(2)	0	0	0	0	1	0	0	0	0	0	0	0	0	0	0	0	0	0
	:	:	:	:	:	:	:	:	:	:	:	:	:	:	:	:	:	:	:
	:	:	:	:	:	:	:	:	:	:	:	:	:	:	:	:	:	:	:
	Red(61)	1	1	1	1	0	1	0	0	0	0	0	0	0	0	0	0	0	0
	Red(62)	1	1	1	1	1	0	0	0	0	0	0	0	0	0	0	0	0	0
	Red(63)	1	1	1	1	1	1	0	0	0	0	0	0	0	0	0	0	0	0
Gray Scale Of Green	Green(0)/Dark	0	0	0	0	0	0	0	0	0	0	0	0	0	0	0	0	0	0
	Green(1)	0	0	0	0	0	0	0	0	0	0	1	0	0	0	0	0	0	0
	Green(2)	0	0	0	0	0	0	0	0	0	1	0	0	0	0	0	0	0	0
	:	:	:	:	:	:	:	:	:	:	:	:	:	:	:	:	:	:	:
	:	:	:	:	:	:	:	:	:	:	:	:	:	:	:	:	:	:	:
	Green(61)	0	0	0	0	0	0	1	1	1	1	0	1	0	0	0	0	0	0
	Green(62)	0	0	0	0	0	0	1	1	1	1	1	0	0	0	0	0	0	0
	Green(63)	0	0	0	0	0	0	1	1	1	1	1	1	0	0	0	0	0	0
Gray Scale Of Blue	Blue(0)/Dark	0	0	0	0	0	0	0	0	0	0	0	0	0	0	0	0	0	0
	Blue(1)	0	0	0	0	0	0	0	0	0	0	0	0	0	0	0	0	0	1
	Blue(2)	0	0	0	0	0	0	0	0	0	0	0	0	0	0	0	0	1	0
	:	:	:	:	:	:	:	:	:	:	:	:	:	:	:	:	:	:	:
	:	:	:	:	:	:	:	:	:	:	:	:	:	:	:	:	:	:	:
	Blue(61)	0	0	0	0	0	0	0	0	0	0	0	0	1	1	1	1	0	1
	Blue(62)	0	0	0	0	0	0	0	0	0	0	0	0	1	1	1	1	1	0
	Blue(63)	0	0	0	0	0	0	0	0	0	0	0	0	1	1	1	1	1	1

Note (1) 0: Low Level Voltage, 1: High Level Voltage

## 5.4 EDID DATA STRUCTURE

The EDID (Extended Display Identification Data) data formats are to support displays as defined in the VESA Plug & Display and FPD1 standards.

Byte # (decimal)	Byte # (hex)	Field Name and Comments	Value (hex)	Value (binary)
0	0	Header	00	00000000
1	1	Header	FF	11111111
2	2	Header	FF	11111111
3	3	Header	FF	11111111
4	4	Header	FF	11111111
5	5	Header	FF	11111111
6	6	Header	FF	11111111
7	7	Header	00	00000000
8	8	EISA ID manufacturer name ("CMO")	0D	00001101
9	9	EISA ID manufacturer name (Compressed ASCII)	AF	10101111
10	0A	ID product code (N116B6-L02)	00	00000000
11	0B	ID product code (hex LSB first; N116B6-L02)	11	00010001
12	0C	ID S/N (fixed "0")	00	00000000
13	0D	ID S/N (fixed "0")	00	00000000
14	0E	ID S/N (fixed "0")	00	00000000
15	0F	ID S/N (fixed "0")	00	00000000
16	10	Week of manufacture (fixed week code)	09	00001001
17	11	Year of manufacture (fixed year code)	13	00010011
18	12	EDID structure version # ("1")	01	00000001
19	13	EDID revision # ("3")	03	00000011
20	14	Video I/P definition ("digital")	80	10000000
21	15	Max H image size ("25.612cm")	19	00011001
22	16	Max V image size ("14.4cm")	0E	00001110
23	17	Display Gamma (Gamma = "2.2")	78	01111000
24	18	Feature support ("Active off, RGB Color")	0A	00001010
25	19	Rx1, Rx0, Ry1, Ry0, Gx1, Gx0, Gy1, Gy0	CF	11001111
26	1A	Bx1, Bx0, By1, By0, Wx1, Wx0, Wy1, Wy0	45	01000101
27	1B	Rx=0.565	90	10010000
28	1C	Ry=0.348	59	01011001
29	1D	Gx=0.343	57	01010111
30	1E	Gy=0.585	95	10010101
31	1F	Bx=0.161	29	00101001
32	20	By=0.121	1F	00011111
33	21	Wx=0.313	50	01010000
34	22	Wy=0.329	54	01010100
35	23	Established timings 1	00	00000000
36	24	Established timings 2	00	00000000
37	25	Manufacturer's reserved timings	00	00000000
38	26	Standard timing ID # 1	01	00000001
39	27	Standard timing ID # 1	01	00000001
40	28	Standard timing ID # 2	01	00000001
41	29	Standard timing ID # 2	01	00000001

Byte # (decimal)	Byte # (hex)	Field Name and Comments	Value (hex)	Value (binary)
42	2A	Standard timing ID # 3	01	00000001
43	2B	Standard timing ID # 3	01	00000001
44	2C	Standard timing ID # 4	01	00000001
45	2D	Standard timing ID # 4	01	00000001
46	2E	Standard timing ID # 5	01	00000001
47	2F	Standard timing ID # 5	01	00000001
48	30	Standard timing ID # 6	01	00000001
49	31	Standard timing ID # 6	01	00000001
50	32	Standard timing ID # 7	01	00000001
51	33	Standard timing ID # 7	01	00000001
52	34	Standard timing ID # 8	01	00000001
53	35	Standard timing ID # 8	01	00000001
54	36	Detailed timing description # 1 Pixel clock ("69.3MHz", According to VESA CVT Rev1.1)	12	00010010
55	37	# 1 Pixel clock (hex LSB first)	1B	00011011
56	38	# 1 H active ("1366")	56	01010110
57	39	# 1 H blank ("108")	6C	01101100
58	3A	# 1 H active : H blank ("1366 : 108")	50	01010000
59	3B	# 1 V active ("768")	00	00000000
60	3C	# 1 V blank ("16")	10	00010000
61	3D	# 1 V active : V blank ("768 : 16")	30	00110000
62	3E	# 1 H sync offset ("32")	20	00100000
63	3F	# 1 H sync pulse width ("22")	16	00010110
64	40	# 1 V sync offset : V sync pulse width ("2 : 4")	24	00100100
65	41	# 1 H sync offset : H sync pulse width : V sync offset : V sync width ("32: 22 : 2 : 4")	00	00000000
66	42	# 1 H image size ("256 mm")	00	00000000
67	43	# 1 V image size ("144 mm")	90	10010000
68	44	# 1 H image size : V image size ("256 : 144")	10	00010000
69	45	# 1 H boarder ("0")	00	00000000
70	46	# 1 V boarder ("0")	00	00000000
71	47	# 1 Non-interlaced, Normal, no stereo, Separate sync, H/V pol Negatives	18	00011000
72	48	Detailed timing description # 2	00	00000000
73	49	# 2 Flag	00	00000000
74	4A	# 2 Reserved	00	00000000
75	4B	# 2 FE (hex) defines ASCII string (Model Name "N116B6-L02", ASCII)	FE	11111110
76	4C	# 2 Flag	00	00000000
77	4D	# 2 1st character of name ("N")	4E	01001110
78	4E	# 2 2nd character of name ("1")	31	00110001
79	4F	# 2 3rd character of name ("1")	31	00110001
80	50	# 2 4th character of name ("6")	36	00110110
81	51	# 2 5th character of name ("B")	42	01000010
82	52	# 2 6th character of name ("6")	36	00110110
83	53	# 2 7th character of name ("-")	2D	00101101
84	54	# 2 8th character of name ("L")	4C	01001100
85	55	# 2 9th character of name ("0")	30	00110000

Byte # (decimal)	Byte # (hex)	Field Name and Comments	Value (hex)	Value (binary)
86	56	# 2 9th character of name ("2")	32	00110010
87	57	# 2 New line character indicates end of ASCII string	0A	00001010
88	58	# 2 Padding with "Blank" character	20	00100000
89	59	# 2 Padding with "Blank" character	20	00100000
90	5A	Detailed timing description # 3	00	00000000
91	5B	# 3 Flag	00	00000000
92	5C	# 3 Reserved	00	00000000
93	5D	# 3 FE (hex) defines ASCII string (Vendor "CMO", ASCII)	FE	11111110
94	5E	# 3 Flag	00	00000000
95	5F	# 3 1st character of string ("C")	43	01000011
96	60	# 3 2nd character of string ("M")	4D	01001101
97	61	# 3 3rd character of string ("O")	4F	01001111
98	62	# 3 New line character indicates end of ASCII string	0A	00001010
99	63	# 3 Padding with "Blank" character	20	00100000
100	64	# 3 Padding with "Blank" character	20	00100000
101	65	# 3 Padding with "Blank" character	20	00100000
102	66	# 3 Padding with "Blank" character	20	00100000
103	67	# 3 Padding with "Blank" character	20	00100000
104	68	# 3 Padding with "Blank" character	20	00100000
105	69	# 3 Padding with "Blank" character	20	00100000
106	6A	# 3 Padding with "Blank" character	20	00100000
107	6B	# 3 Padding with "Blank" character	20	00100000
108	6C	Detailed timing description # 4	00	00000000
109	6D	# 4 Flag	00	00000000
110	6E	# 4 Reserved	00	00000000
111	6F	# 4 FE (hex) defines ASCII string (Model Name"N116B6-L02", ASCII)	FE	11111110
112	70	# 4 Flag	00	00000000
113	71	# 4 1st character of name ("N")	4E	01001110
114	72	# 4 2nd character of name ("1")	31	00110001
115	73	# 4 3rd character of name ("1")	31	00110001
116	74	# 4 4th character of name ("6")	36	00110110
117	75	# 4 5th character of name ("B")	42	01000010
118	76	# 4 6th character of name ("6")	36	00110110
119	77	# 4 7th character of name ("-")	2D	00101101
120	78	# 4 8th character of name ("L")	4C	01001100
121	79	# 4 9th character of name ("0")	30	00110000
122	7A	# 4 9th character of name ("2")	32	00110010
123	7B	# 4 New line character indicates end of ASCII string	0A	00001010
124	7C	# 4 Padding with "Blank" character	20	00100000
125	7D	# 4 Padding with "Blank" character	20	00100000
126	7E	Extension flag	00	00000000
127	7F	Checksum	71	01110001



## 6. CONVERTER SPECIFICATION

### 6.1 ABSOLUTE MAXIMUM RATINGS

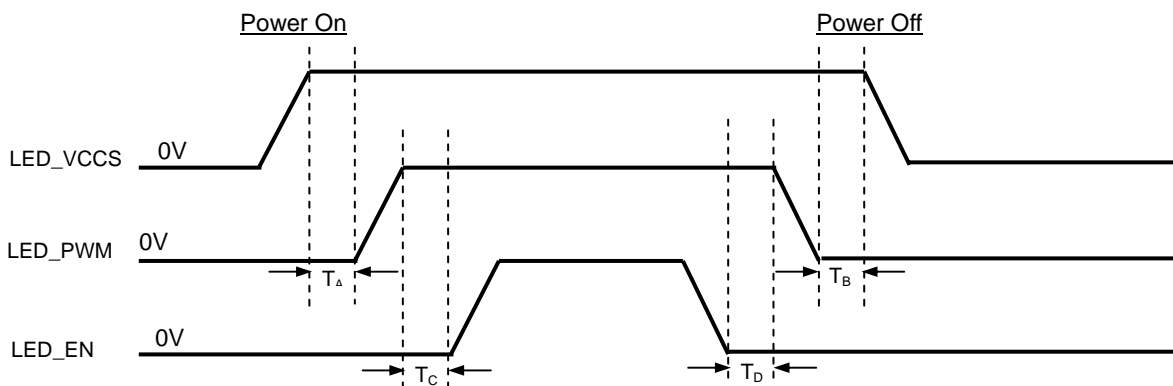
Symbol	Ratings
LED_VCCS	-0.3V~30.0V
LED_PWM, LED_EN	-0.3V~7.0V

### 6.2 RECOMMENDED OPERATING RATINGS

Parameter	Symbol	Value			Unit	Note
		Min.	Typ.	Max.		
Converter Input power supply voltage	LED_VCCS	6	12	20	V	
EN Control Level	Backlight on	2.0	-	5.5	V	
	Backlight off	0	-	0.8	V	
PWM Control Level	PWM High Level	2.0	-	5.5	V	
	PWM Low Level	0	-	0.15	V	
PWM Control Duty Ratio		20	-	100	%	
PWM Control Permissible Ripple Voltage	V <sub>PWM_pp</sub>	-	-	100	mV	
PWM Control Frequency	f <sub>PWM</sub>	190	210	230	Hz	
LED Power Current	LED_VCCS =Min.	327	352	377	mA	(1)
	LED_VCCS =Typ.	159	172	186	mA	(1)
	LED_VCCS =Max.	93	101	110	mA	(1)

Note (1) The specified LED power supply current is under the conditions at "LED\_VCCS = Min., Typ., Max.",  $T_a = 25 \pm 2 \text{ }^\circ\text{C}$ ,  $f_{\text{PWM}} = 200 \text{ Hz}$ , Duty=100%.

### 6.3 LED BACKLIGHT CONTROL ON/OFF SEQUENCE



Timing Specifications:

T <sub>A</sub>	0ms
T <sub>B</sub>	0ms
T <sub>C</sub>	10ms
T <sub>D</sub>	0ms

Note (1) Please follow the LED backlight power sequence as above. If the customer could not follow, it might cause backlight flash issue during display ON/OFF or damage the LED backlight controller

## 7. INTERFACE TIMING

### 7.1 INPUT SIGNAL TIMING SPECIFICATIONS

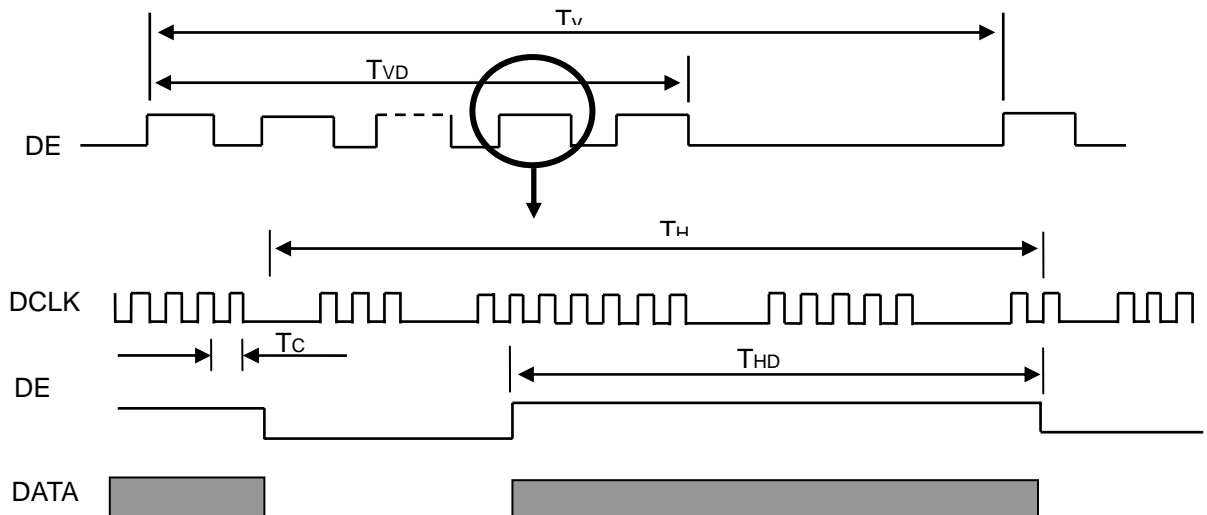
The input signal timing specifications are shown as the following table and timing diagram.

Signal	Item	Symbol	Min.	Typ.	Max.	Unit	Note
DCLK	Frequency	1/Tc	62.4	69.3	72.8	MHz	(2)
DE	Vertical Total Time	TV	772	784	788	TH	-
	Vertical Active Display Period	TVD	768	768	768	TH	-
	Vertical Active Blanking Period	TVB	TV-TVD	16	TV-TVD	TH	-
	Horizontal Total Time	TH	1408	1474	1501	Tc	(2)
	Horizontal Active Display Period	THD	1366	1366	1366	Tc	(2)
	Horizontal Active Blanking Period	THB	TH-THD	108	TH-THD	Tc	(2)

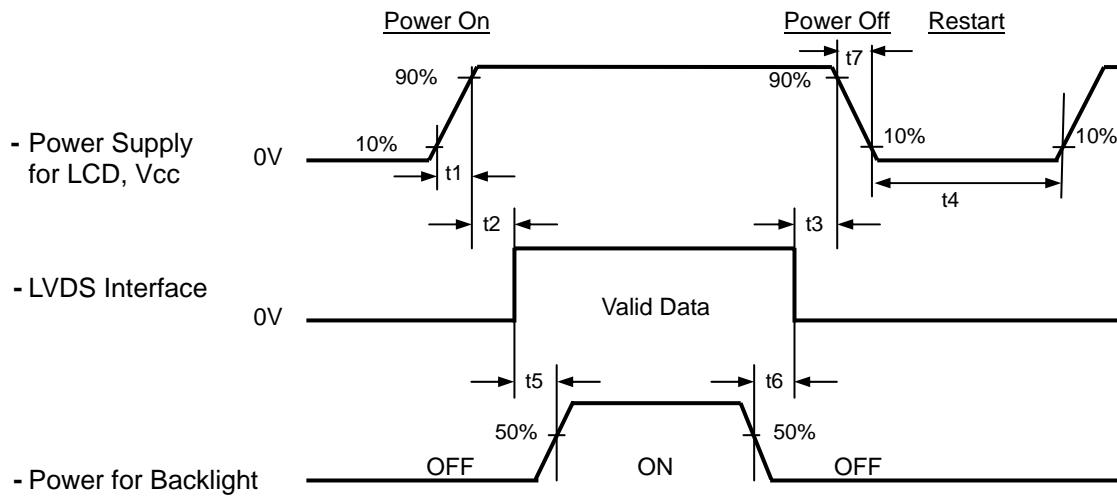
Note (1) Because this module is operated by DE only mode, Hsync and Vsync are ignored.

(2) 1 channel LVDS input.

### INPUT SIGNAL TIMING DIAGRAM



## 7.2 POWER ON/OFF SEQUENCE



### Timing Specifications:

0.5	$t_1$	10 ms
0	$t_2$	50 ms
0	$t_3$	50 ms
	$t_4$	500 ms
	$t_5$	200 ms
	$t_6$	200 ms

Note (1) Please follow the power on/off sequence described above. Otherwise, the LCD module might be damaged.

Note (2) Please avoid floating state of interface signal at invalid period. When the interface signal is invalid, be sure to pull down the power supply of LCD Vcc to 0 V.

Note (3) The Backlight converter power must be turned on after the power supply for the logic and the interface signal is valid. The Backlight converter power must be turned off before the power supply for the logic and the interface signal is invalid.

Note (4) Sometimes some slight noise shows when LCD is turned off (even backlight is already off). To avoid this phenomenon, we suggest that the Vcc falling time is better to follow  $50 \mu s \leq t_3 \leq 10ms$ .

## 8. OPTICAL CHARACTERISTICS

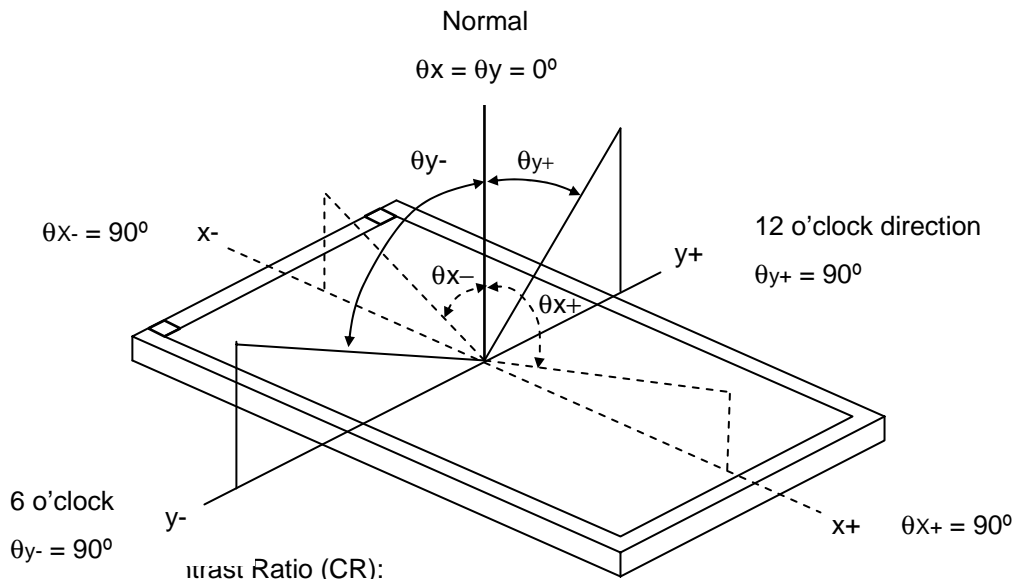
### 8.1 TEST CONDITIONS

Item	Symbol	Value	Unit
Ambient Temperature	Ta	25±2	°C
Ambient Humidity	Ha	50±10	%RH
Supply Voltage	V <sub>CC</sub>	3.3	V
Input Signal	According to typical value in "3. ELECTRICAL CHARACTERISTICS"		
LED Light Bar Input Current	I <sub>L</sub>	60	mA

### 8.2 OPTICAL SPECIFICATIONS

Item	Symbol	Condition	Min.	Typ.	Max.	Unit	Note	
Contrast Ratio	CR	$\theta_x=0^\circ, \theta_y=0^\circ$ Viewing Normal Angle	300	500	-	-	(2), (5)	
Response Time	T <sub>R</sub>		-	3	8	ms	(3)	
	T <sub>F</sub>		-	7	12	ms		
Average Luminance of White	L <sub>Ave</sub>		170	200	-	cd/m <sup>2</sup>	(4), (5)	
Color Chromaticity	Red		R <sub>x</sub>	TYP. -0.03	0.567	TYP. +0.03	-	(1)
			R <sub>y</sub>		0.349		-	
	Green		G <sub>x</sub>		0.338		-	
			G <sub>y</sub>		0.579		-	
	Blue		B <sub>x</sub>		0.157		-	
			B <sub>y</sub>		0.120		-	
	White	W <sub>x</sub>	0.313		-			
		W <sub>y</sub>	0.329		-			
Viewing Angle	Horizontal	$\theta_{x+}$	40	45	-	Deg.	(1),(5)	
		$\theta_{x-}$	40	45	-			
	Vertical	$\theta_{y+}$	15	20	-			
		$\theta_{y-}$	40	45	-			
White Variation of 5 Points	$\delta W_{5p}$	$\theta_x=0^\circ, \theta_y=0^\circ$	-	-	1.25	%	(5),(6)	

Note (1) Definition of Viewing Angle ( $\theta_x, \theta_y$ ):



Note (2) Contrast Ratio (CR):

The contrast ratio can be calculated by the following expression.

$$\text{Contrast Ratio (CR)} = L_{63} / L_0$$

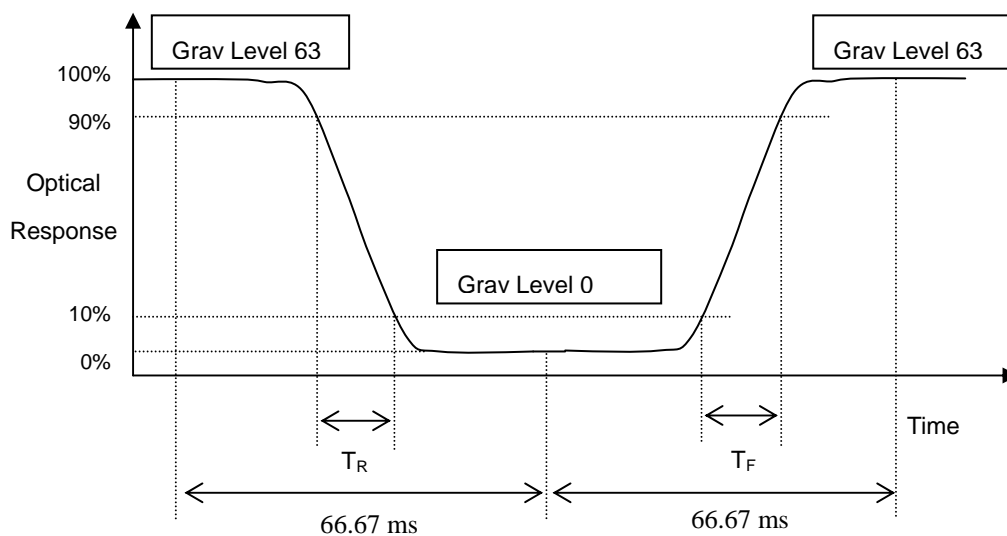
L63: Luminance of gray level 63

L 0: Luminance of gray level 0

$$\text{CR} = \text{CR} (1)$$

CR (X) is corresponding to the Contrast Ratio of the point X at Figure in Note (6).

Note (3) Definition of Response Time ( $T_R, T_F$ ):



Note (4) Definition of Average Luminance of White ( $L_{AVE}$ ):

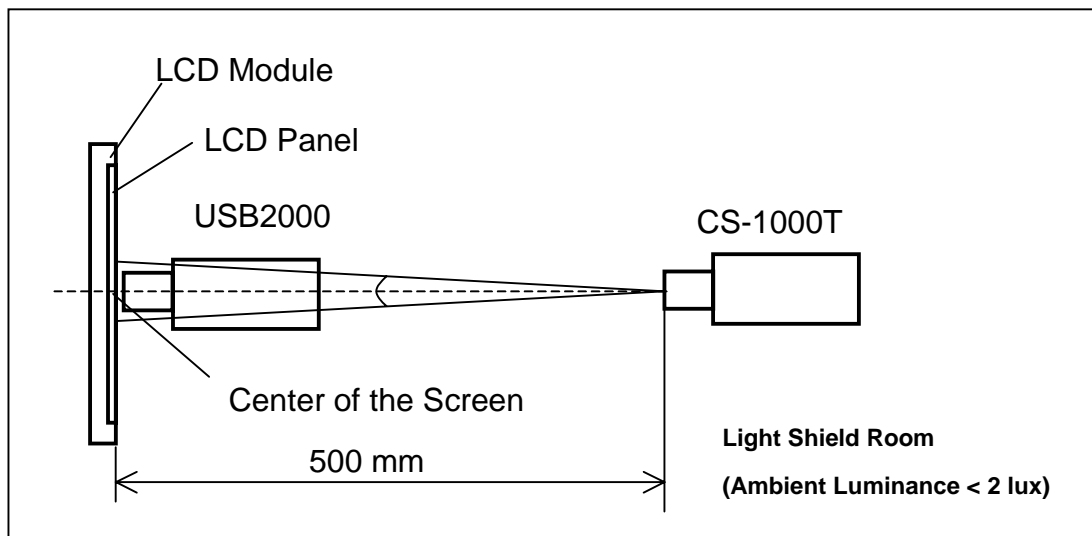
Measure the luminance of gray level 63 at 5 points

$$L_{AVE} = [L(1) + L(2) + L(3) + L(4) + L(5)] / 5$$

L(x) is corresponding to the luminance of the point X at Figure in Note (6)

Note (5) Measurement Setup:

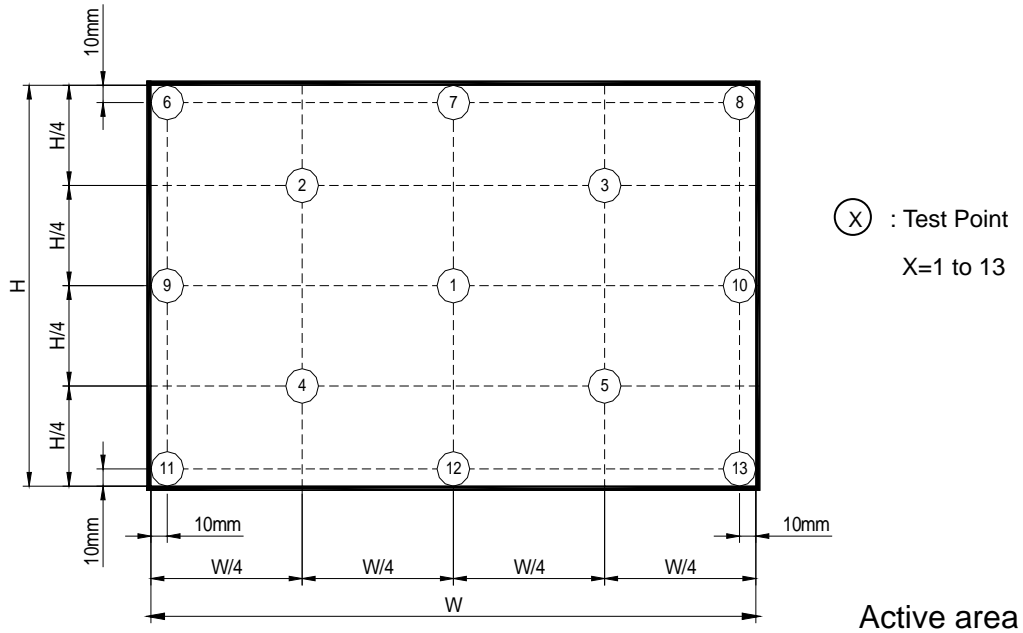
The LCD module should be stabilized at given temperature for 20 minutes to avoid abrupt temperature change during measuring. In order to stabilize the luminance, the measurement should be executed after lighting Backlight for 20 minutes in a windless room.



Note (6) Definition of White Variation ( $\delta W$ ):

Measure the luminance of gray level 63 at 5 points

$$\delta W_{5p} = \text{Maximum [L (1)+ L (2)+ L (3)+ L (4)+ L (5)] / Minimum [L (1)+ L (2)+ L (3)+ L (4)+ L (5)]}$$



## 9. PRECAUTIONS

### 9.1 SYSTEM MATCHING PRECAUTIONS

- (1) Refer to the drawing.
- (2) To avoid wireless noise interference, please keep the antenna away from LCD control board.

### 9.2 HANDLING PRECAUTIONS

- (1) The module should be assembled into the system firmly by using every mounting hole. Be careful not to twist or bend the module.
- (2) While assembling or installing modules, it can only be in the clean area. The dust and oil may cause electrical short or damage the polarizer.
- (3) Use fingerstalls or soft gloves in order to keep display clean during the incoming inspection and assembly process.
- (4) Do not press or scratch the surface harder than a HB pencil lead on the panel because the polarizer is very soft and easily scratched.
- (5) If the surface of the polarizer is dirty, please clean it by some absorbent cotton or soft cloth. Do not use Ketone type materials (ex. Acetone), Ethyl alcohol, Toluene, Ethyl acid or Methyl chloride. It might permanently damage the polarizer due to chemical reaction.
- (6) Wipe off water droplets or oil immediately. Staining and discoloration may occur if they left on panel for a long time.
- (7) If the liquid crystal material leaks from the panel, it should be kept away from the eyes or mouth. In case of contacting with hands, legs or clothes, it must be washed away thoroughly with soap.
- (8) Protect the module from static electricity, it may cause damage to the C-MOS Gate Array IC.
- (9) Do not disassemble the module.
- (10) Do not pull or fold the lamp wire.
- (11) Pins of I/F connector should not be touched directly with bare hands.

### 9.3 STORAGE PRECAUTIONS

- (1) High temperature or humidity may reduce the performance of module. Please store LCD module within the specified storage conditions.
- (2) It is dangerous that moisture come into or contacted the LCD module, because the moisture may damage LCD module when it is operating.
- (3) It may reduce the display quality if the ambient temperature is lower than 10 °C. For example, the response time will become slowly, and the starting voltage of lamp will be higher than the room temperature.

### 9.4 OPERATION PRECAUTIONS

- (1) Do not pull the I/F connector in or out while the module is operating.
- (2) Always follow the correct power on/off sequence when LCD module is connecting and operating. This can prevent the CMOS LSI chips from damage during latch-up.
- (3) The startup voltage of Backlight is approximately 1000 Volts. It may cause electrical shock while assembling with inverter. Do not disassemble the module or insert anything into the Backlight unit.

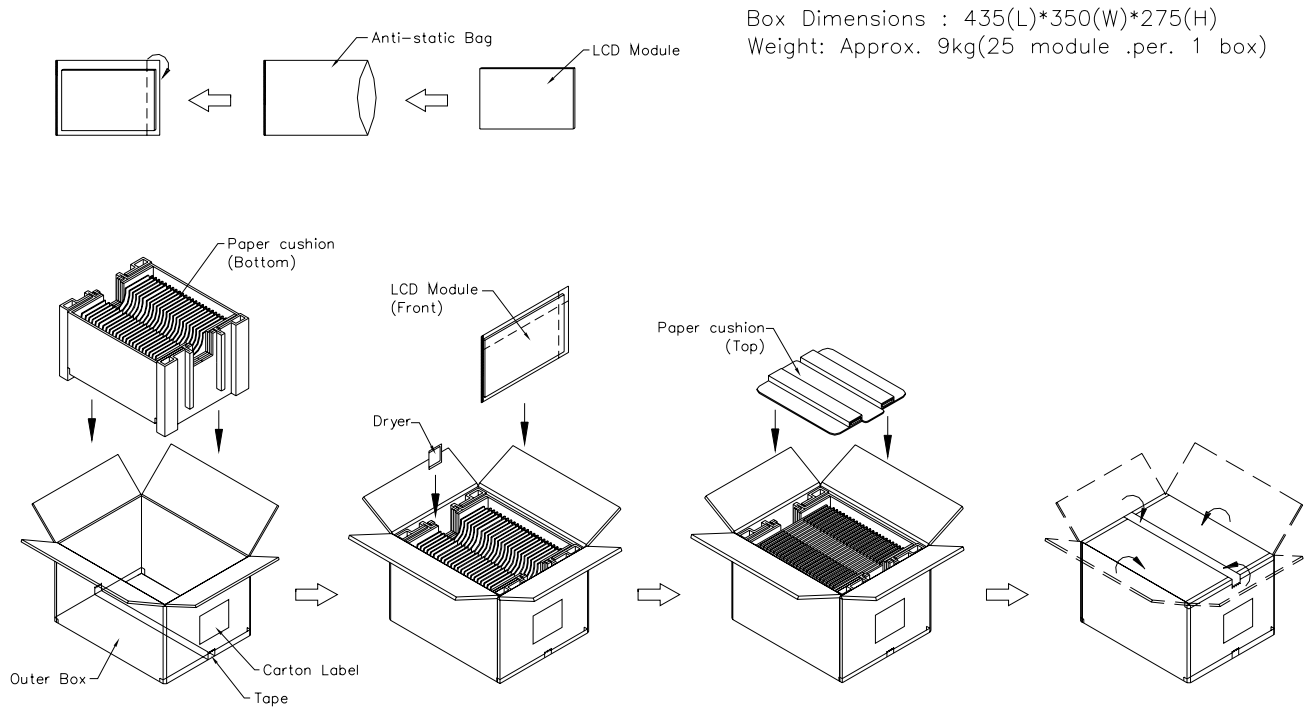
### 9.5 OTHER PRECAUTIONS

- (1) When fixed patterns are displayed for a long time, remnant image is likely to occur.



## 10. PACKING

### 10.1 CARTON



**Figure. 10-1 Packing method**

10.2 PALLET

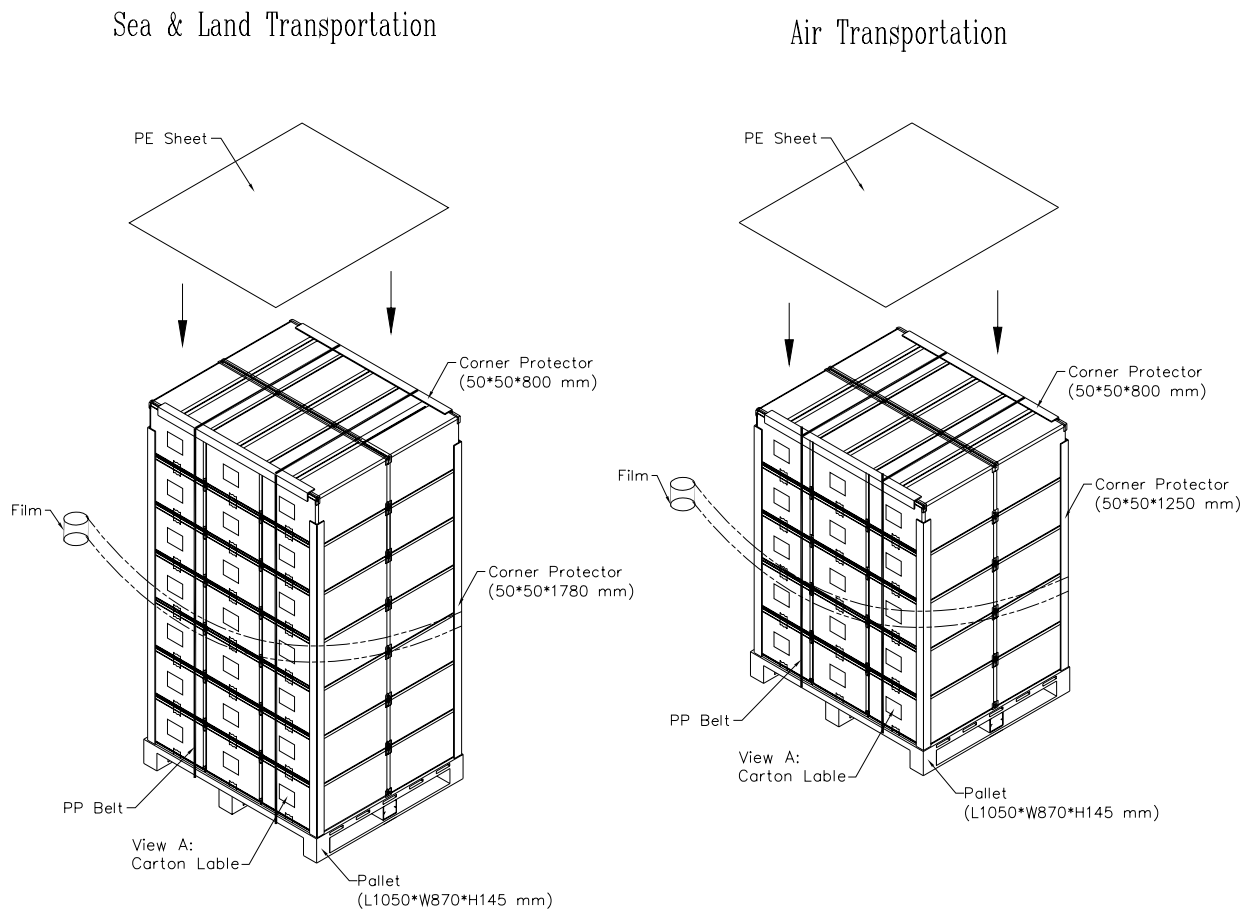


Figure. 10-2 Packing method

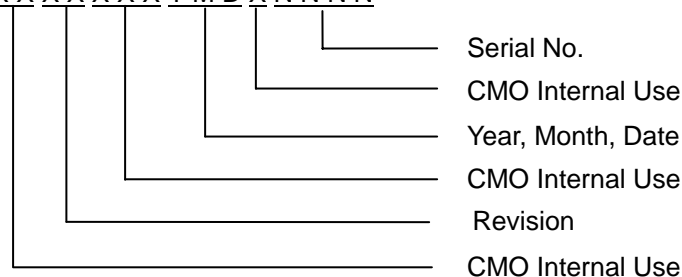
## 11. DEFINITION OF LABELS

### 11.1 CMO MODULE LABEL

The barcode nameplate is pasted on each module as illustration, and its definitions are as following explanation.



- (a) Model Name: N116B6 - L02
- (b) Revision: Rev. XX, for example: A1, ..., C1, C2 ...etc.
- (c) Serial ID: XXXXXXYMDXNNNN



- (d) Production Location: MADE IN XXXX. XXXX stands for production location.

Serial ID includes the information as below:

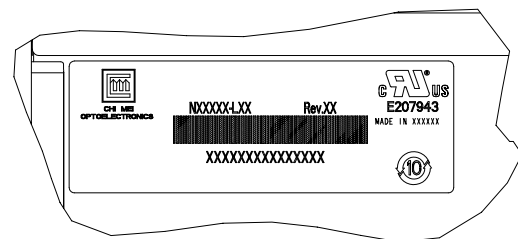
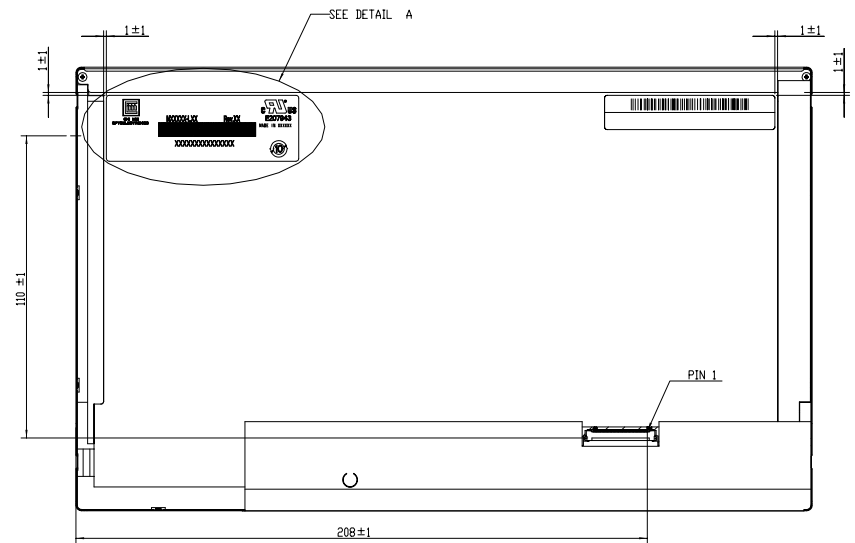
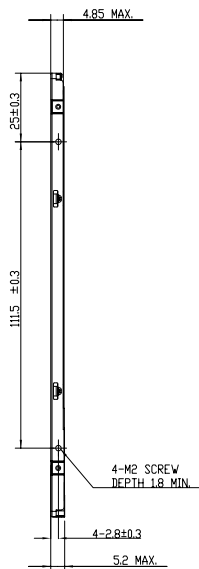
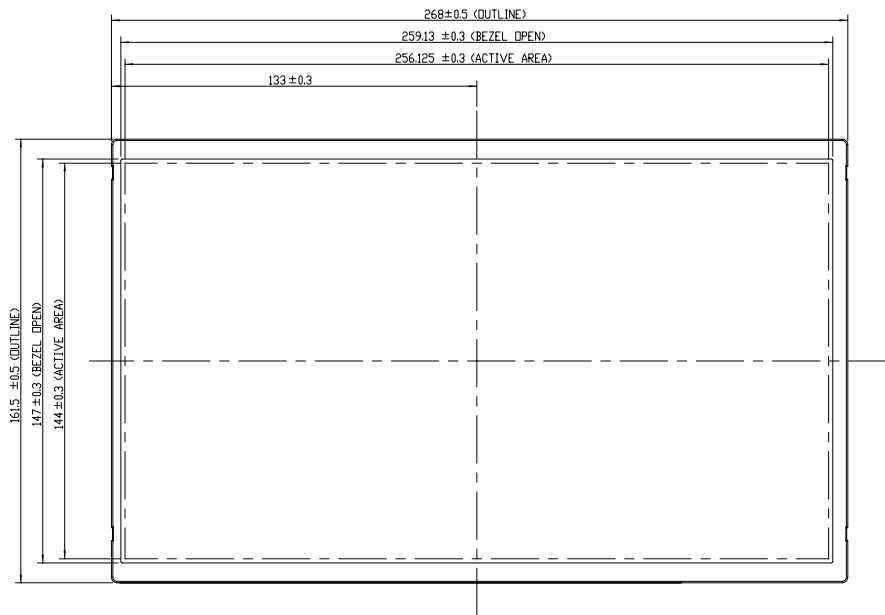
- (a) Manufactured Date: Year: 1~9, for 2001~2009  
 Month: 1~9, A~C, for Jan. ~ Dec.  
 Day: 1~9, A~Y, for 1<sup>st</sup> to 31<sup>st</sup>, exclude I , O and U
- (b) Revision Code: cover all the change
- (c) Serial No.: Manufacturing sequence of product

11.2 CARTON LABEL

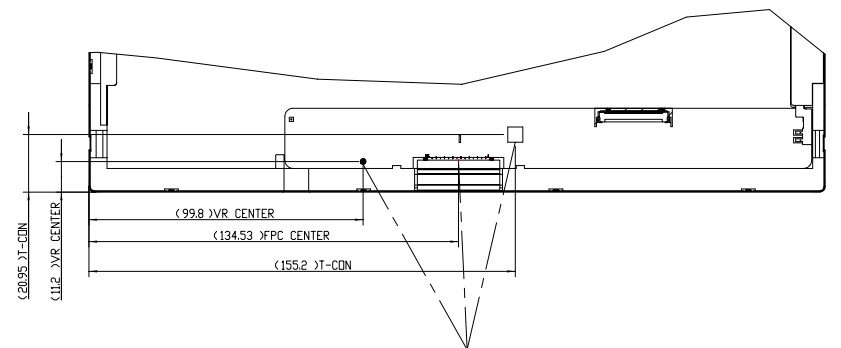


The image shows a template for a carton label. It features the CHI MEI logo and company name at the top left. Below this, there are several fields for information: PO.NO., Part ID., Model Name (with 'N116B6-L02' pre-filled), and Carton ID. followed by Quantities. At the bottom, there is a 'Made in XXXX' field and a RoHS compliance logo (a yellow circle with 'GP' and 'RoHS' text).

Production location: Made In XXXX. XXXX stands for production location.



DETAIL A  
SCALE 2:1



In order to avoid abnormal display, pooling and white spot, no overlapping is suggested at cables, antennas, camera, WLAN, WAN or other foreign objects over FPC, TCON and VR locations.

- NOTES:  
 1.SCREW M2.0, MAX LENGTH 1.8mm.  
 2.LCD MODULE INPUT CONNECTOR: IPEX, 20455-040E-12 DR EQUIVALENT.  
 3.GAP BETWEEN BEZEL AND PANEL MAX 0.5mm.  
 4.THE BENDING LEVEL SHOULD BE LESS 0.5mm.  
 5.⊗ MARKS THE PROCESS CRITICAL DIMENSIONS.

TITLE	Outline drawing NI16B6-L02	ED REV. IA
Approved	SHUNNAN CHANG	BD REV. I
Checked	JACKSON CHEN	Drawing No. NI1614101A
Drawer	Josephine Lo	Part No. NA
Designer	Josephine Lo	Material NA
	Date 24-MAR-2009	Scale 1:1
	Uniten	Sheet 1 / 1
		ALL RIGHTS RESERVED. COPYING FORBIDDEN.

Mark	Description	Date	Changed_By	Approved_By	ECN No.	Remark
1						
2						
3						
4						
5						
6						
7						
8						
9						
10						
11						
12						
13						
14						
15						
16						